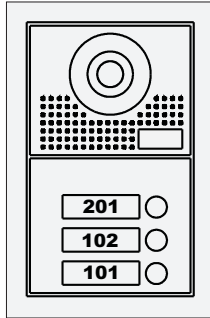


2-wire Apartment Door Sta

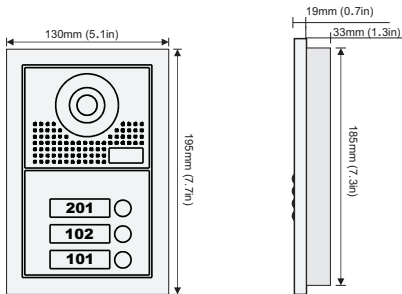
PL619-3



**DESCRIPTION**

2-wire apartment system color CCD outdoor station

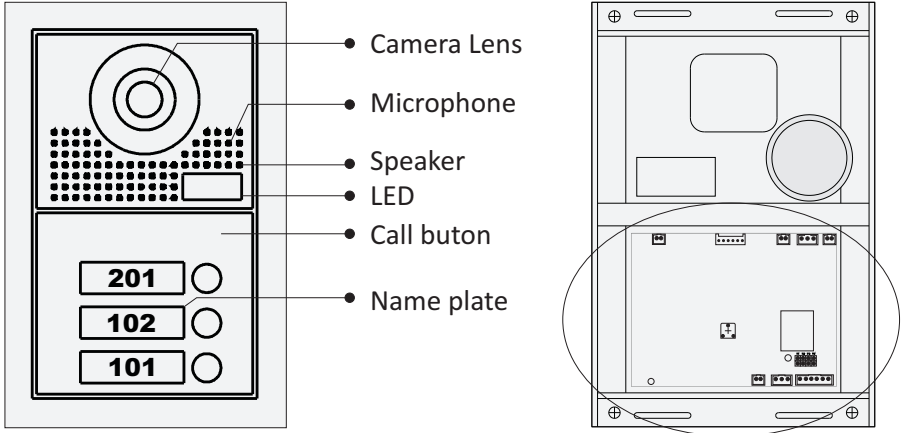
**DIMENSION**



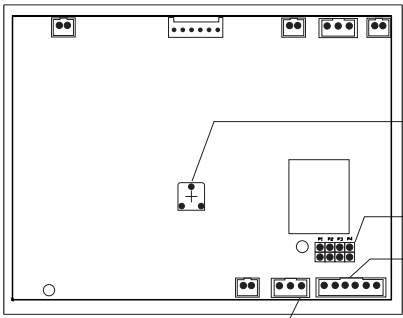
**FEATURES**

- ▶ Aluminum alloy panel design with direct selection buttons;
- ▶ Camera's angle is adjustable

# 1. Parts and Func



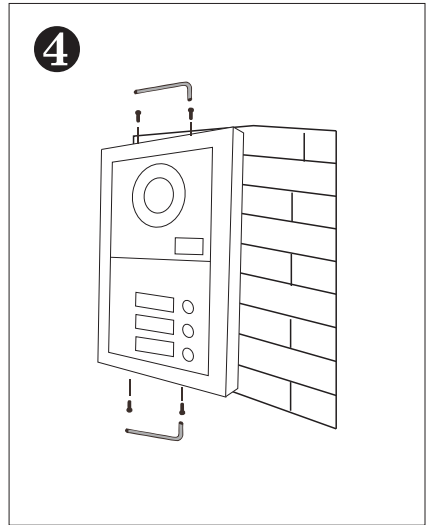
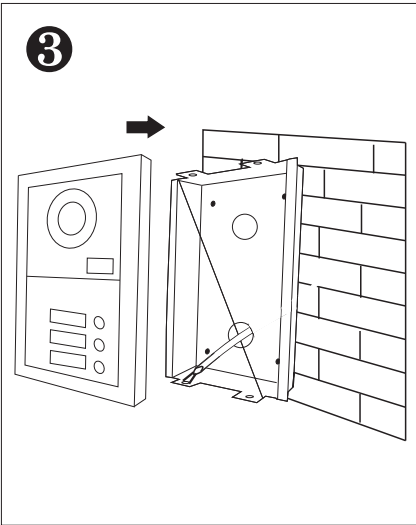
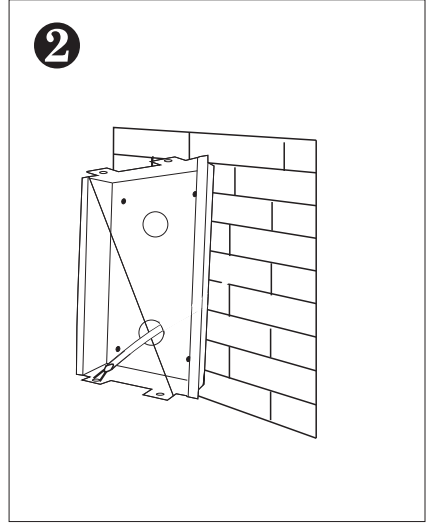
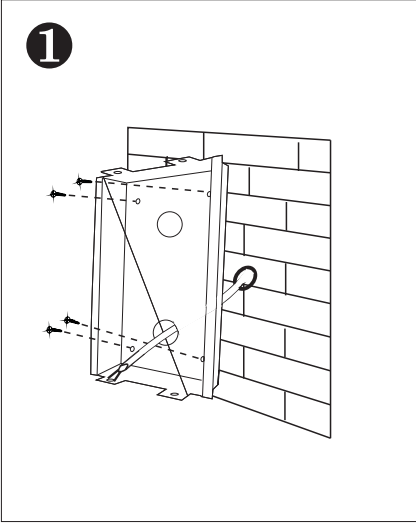
- Camera Lens
- Microphone
- Speaker
- LED
- Call buton
- Name plate



● Card reader module connection port

- Video adjuster
- Unlock jumper
- Electronic lock slot
- General cable output
- 24V power input slot

## 2. Installa



### 3. Specificaa

Model No.	PL619-4
Camera Lens	1/3" CMOS
Resolu	700 TV Lines
IR LED	6 pc
Power Supply	DC 24V 3A
Power Consump	Standby 1.5W, working status 10W
Wiring	2 wires (non-polarity)
Installa	Flush-mounted
Talking	45 sec
Monitoring	30 sec
Opera ture	-10°C ~ +60°C
Gross weight	1.3kg
Dimension	195(H)× 130(W)× 52(D)mm 7.7 (H)× 5.1 (W)× 2.0(D)in
Embedded Dimension	185(H)× 110(W)× 33(D)mm 7.3 (H)× 4.3 (W)× 1.3(D)in

