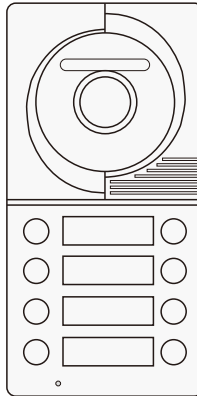


# Product Information

## 2-wire Door Station

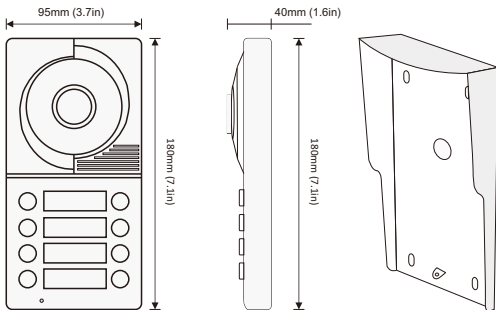
PL702-8



### DESCRIPTION

2-wire system color outdoor station  
with rain cover (8 buttons)

### DIMENSION

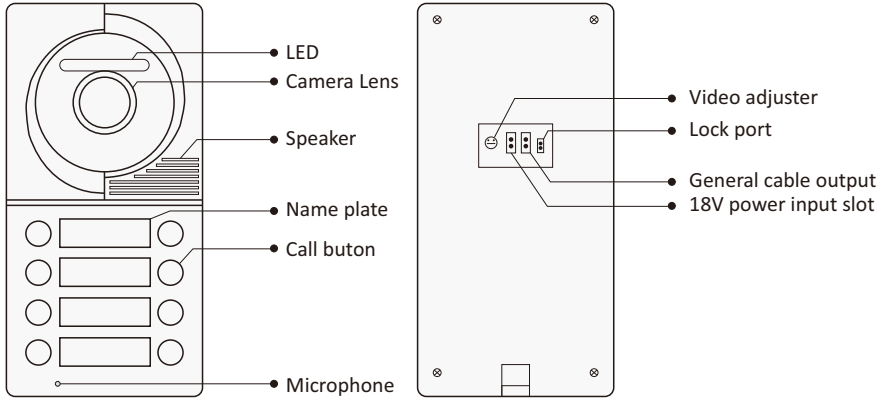


Rain cover

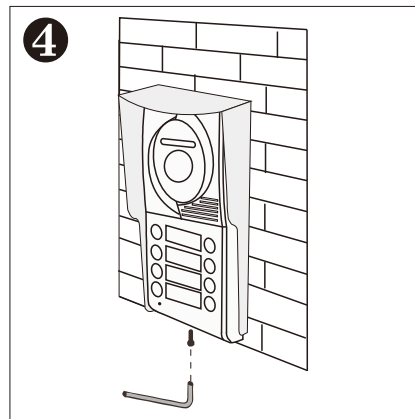
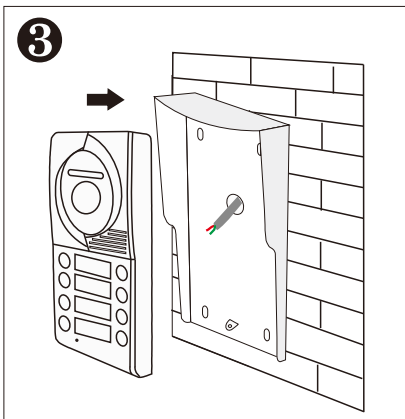
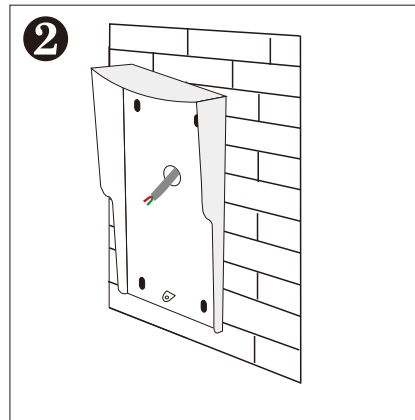
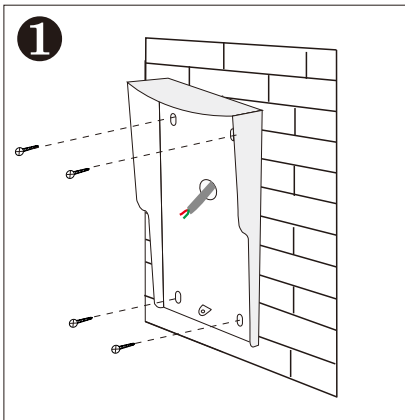
### FEATURES

- ▶ 700 TV lines HD camera
- ▶ Zinc alloy panel with rain cover
- ▶ Name plate display with LED background
- ▶ Compatible with all 2-wire models

## 1. Parts and Functions



## 2. Installation



### 3. Specificaation

Model No.	PL702-8
Camera Lens	1/3" CMOS
Resolution	700 TV Lines
IR LED	6pcs IR LED for 3 meters illumination
Power Supply	DC24V 3A ; AC100—240V
Power Consumption	Standby : <1.5 w; working: <10w
Wiring	2 wires (non polarity)
Installation	Wall-mounted
Talking time	60 sec
Monitoring time	60 sec
Operating empeature	-10°C ~ +60°C
Gross weight	1 kg
Dimension	180(H)× 95(W)× 40(D)mm 7.1 (H)× 3.7 (W)× 1.6(D)in

