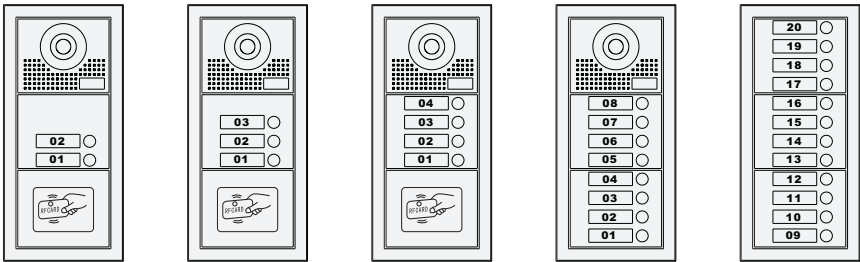
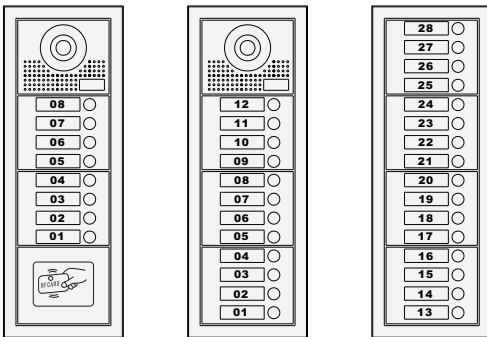


Dimension: 195(H)×130(W)×52(D)mm  
 Embedded Dimension: 185(H)×110(W)×33(D)mm

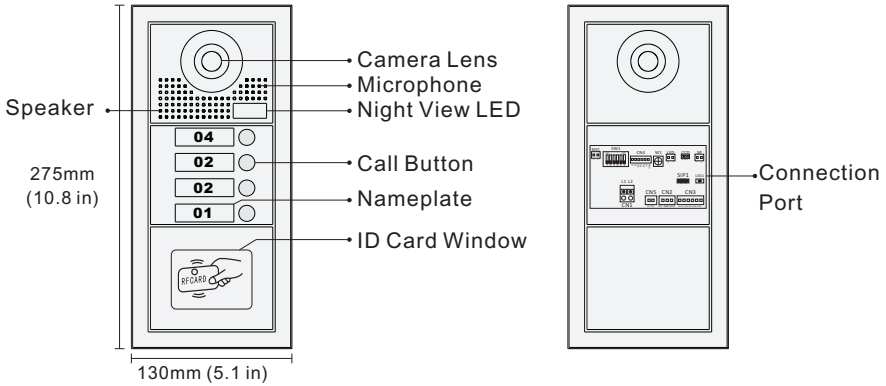


Dimension: 275(H)×130(W)×52(D)mm  
 Embedded Dimension: 270(H)×108(W)×33(D)mm

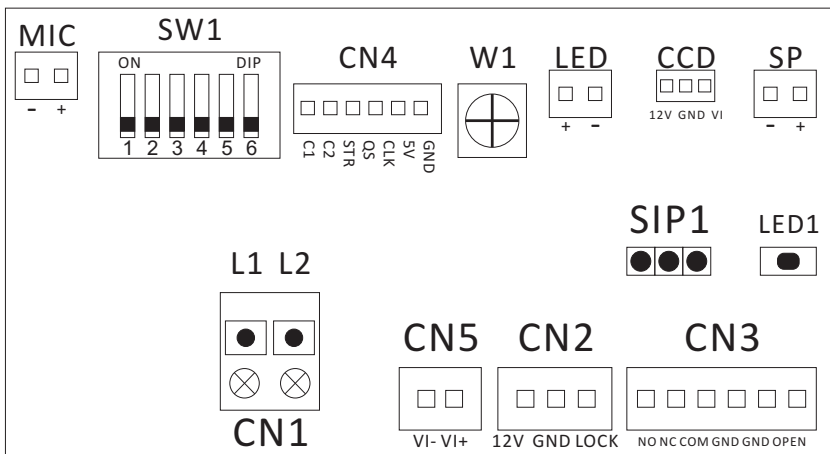


Dimension: 360(H)×130(W)×52(D)mm  
 Embedded Dimension: 350(H)×110(W)×33(D)mm

# 1. Parts and Functions

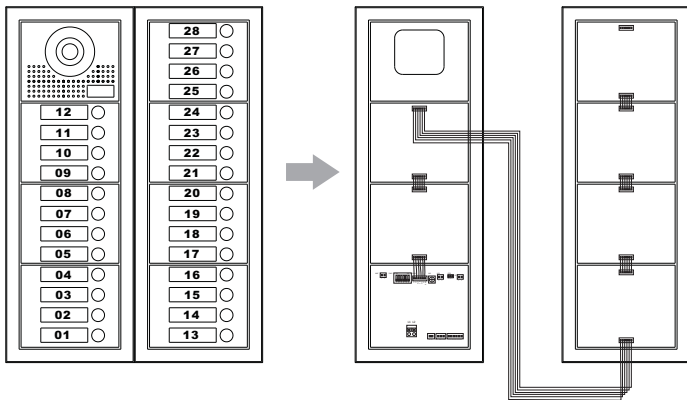
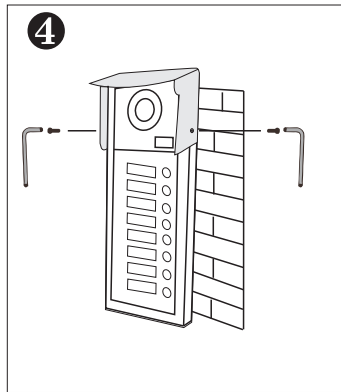
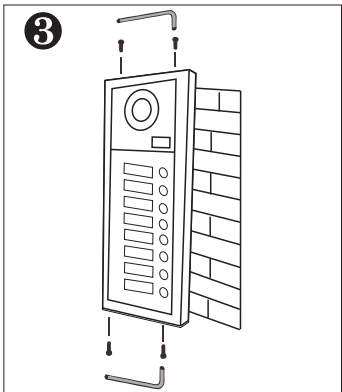
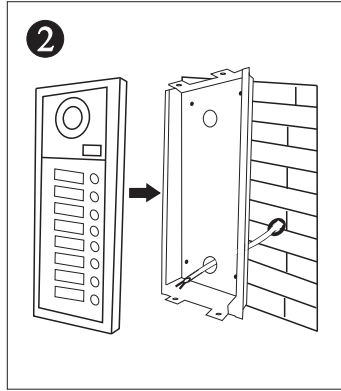
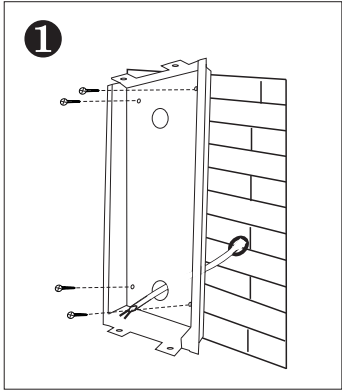


# 2. Terminal Description



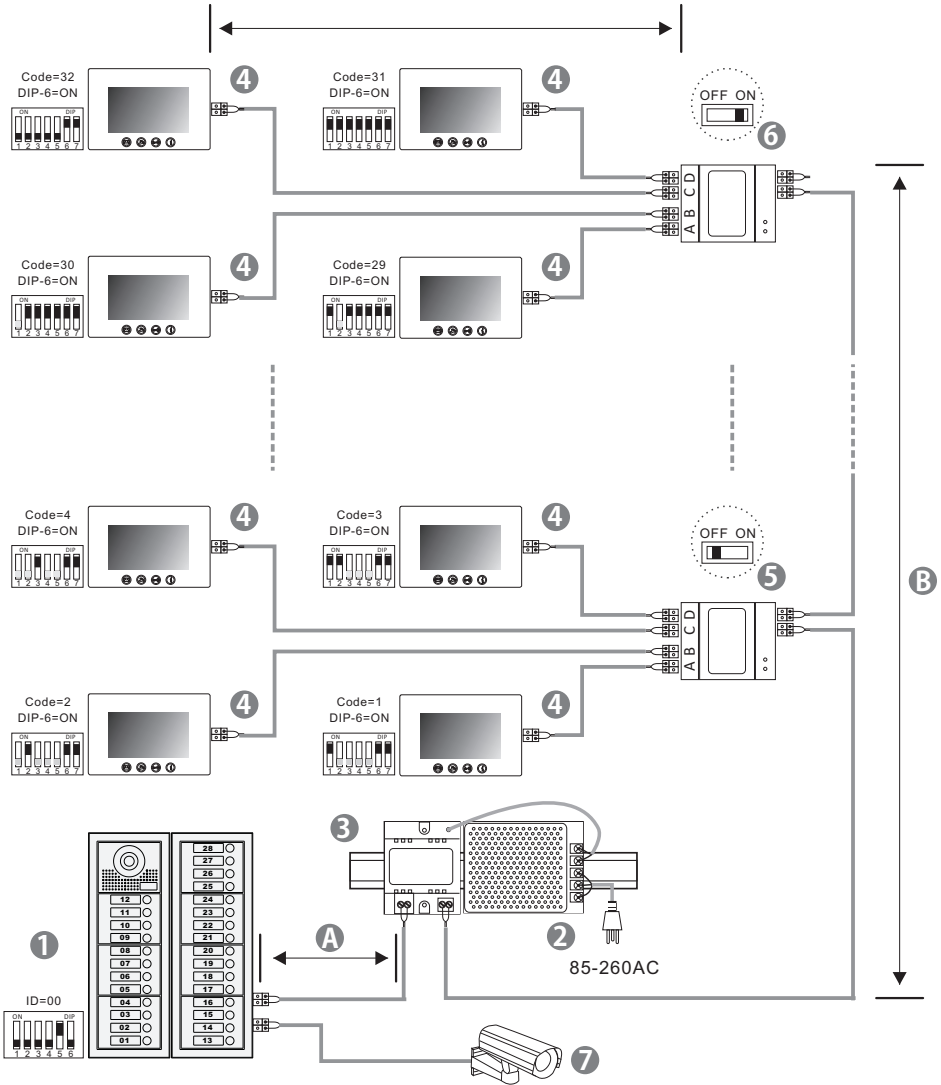
- MIC:** Microphone connection port
- SW1:** DIP switches for system configurations.
- CN4:** Call button module connection port
- W1:** Volume adjustor
- LED:** Night vision light connection port
- CCD:** Camera module connection port
- SP:** Speaker connection port
- CN1:** (L1, L2) non-polarity bus line
- CN5:** Extra camera connection port
- Cn2:** Card reader module connection port
- SIP1:** Door lock jumper
- LED1:** Unlock indicator light
- CN3:** Electronic lock connection port

### 3. Installation



Installation with expanding panel

# 4. Wiring

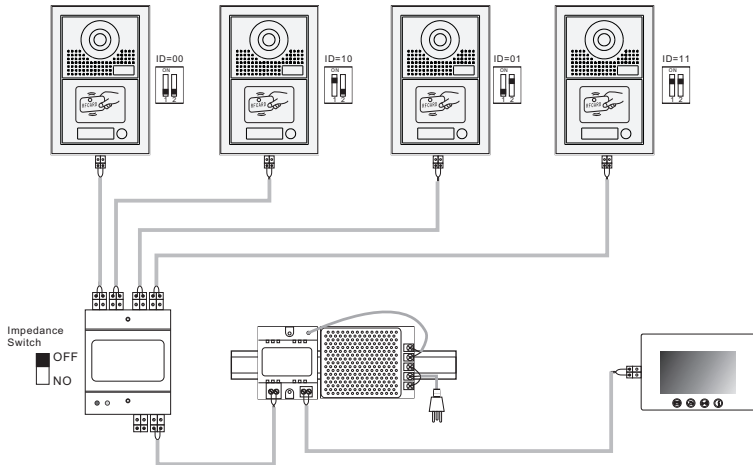


When monitor quantity < 20

Cable Usage	A	B	C
Twisted cable 2×0.75mm <sup>2</sup>	60	60	30
Twisted cable 2×1mm <sup>2</sup>	80	80	40

When monitor quantity > 20

Cable Usage	A	B	C
Twisted cable 2×1mm <sup>2</sup>	60	60	30
Twisted cable 2×1.5mm <sup>2</sup>	80	80	40



---

## 5. Specification

- Power supply: DC 26V
- Power Consumption: 1W in standby, 5W in working
- Unlock Power output: 12Vdc, 250mA
- Unlock timing: 1s, 5s, 10s, 15s
- Working Temperature: -20°C~ +55°C