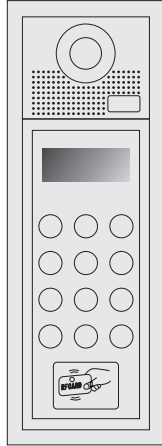


Product Information

CAT5 Door Station

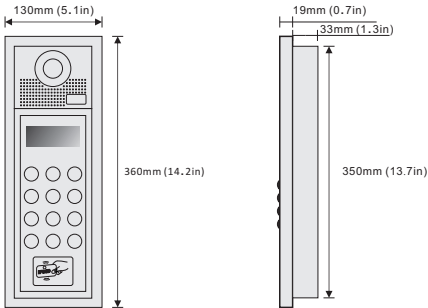
PVA-628-C5-D



DESCRIPTION

CAT5 system color HD camera outdoor station with proximity access control and touch sensor keypad

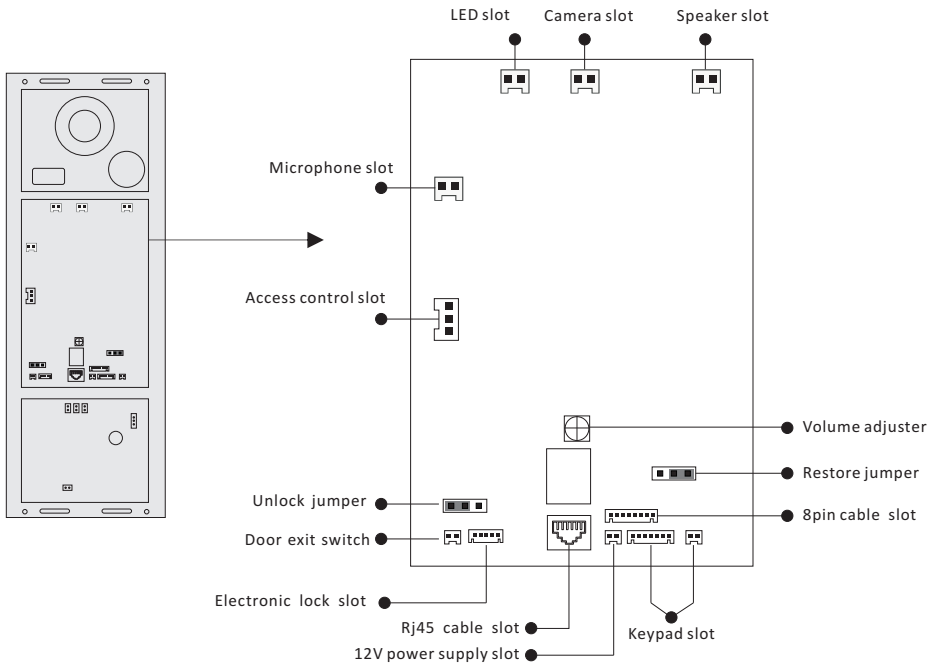
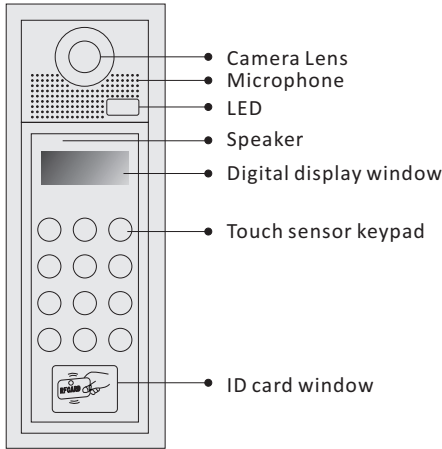
DIMENSION



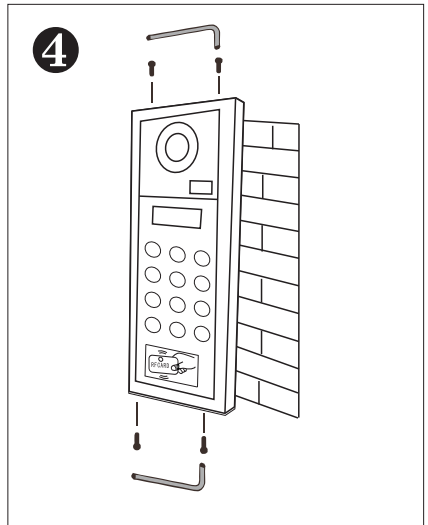
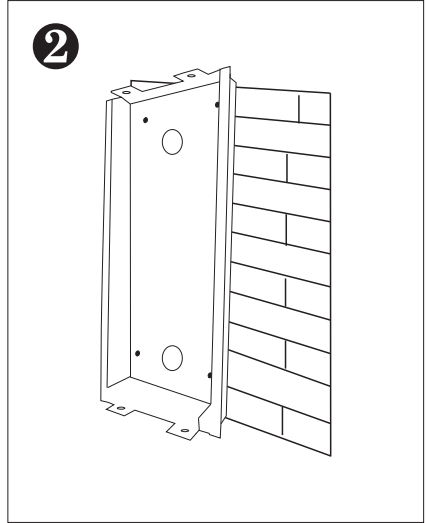
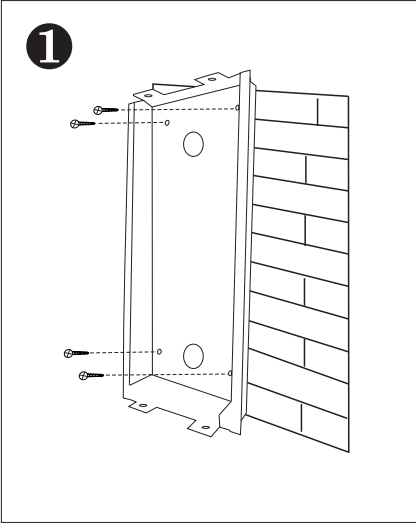
FEATURES

- ▶ Aluminum alloy panel design with touch sensor keypad
- ▶ Proximity access control
- ▶ Powerful password access control
- ▶ Camera's angle is adjustable
- ▶ Multi entry stations are supported
- ▶ Compatible with all C5 system models

1. Parts and Functions



2. Installation



3. Specification

Model No.	PVA-628-C5-D
Camera	HD camera
Lens	1.0MP 3.6mm
Resolution	700 TV Lines
IR LED	6 pc
Power Supply	DC 12V
Power Consumption	Standby 1W, working status 5W
Wiring	CAT5 cable
Installation	Flush-mounted
Talking time	45 sec
Monitoring time	30 sec
Operating Temperature	-10°C ~ +60°C
Gross weight	1.8kg
Dimension	360(H)×130(W)×52(D)mm 14.2 (H)×5.1 (W)×2.0(D)in
Embedded Dimension	350(H)×110(W)×33(D)mm 13.8 (H)×4.3 (W)×1.3(D)in